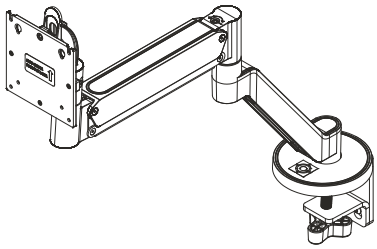
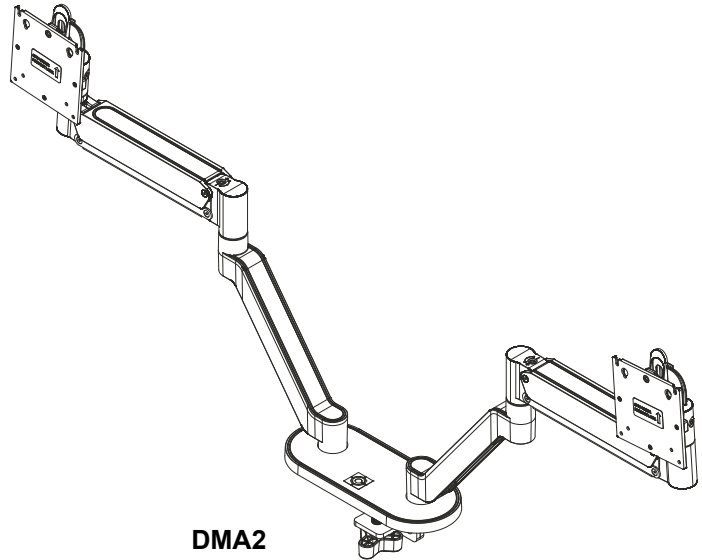

INSTALLATION INSTRUCTIONS



DMA1



DMA2

Koncis™ Dynamic Monitor Arm

DISCLAIMER

Legrand | AV and its affiliated corporations and subsidiaries (collectively "Legrand | AV"), intend to make this manual accurate and complete. However, Legrand | AV makes no claim that the information contained herein covers all details, conditions or variations, nor does it provide for every possible contingency in connection with the installation or use of this product. The information contained in this document is subject to change without notice or obligation of any kind. Legrand | AV makes no representation of warranty, expressed or implied, regarding the information contained herein. Legrand | AV assumes no responsibility for accuracy, completeness or sufficiency of the information contained in this document.

Chief® and Koncis™ are registered trademarks of Legrand AV Inc.

DEFINITIONS

MOUNTING SYSTEM: A MOUNTING SYSTEM is the primary Chief product to which an accessory and/or component is attached.

ACCESSORY: AN ACCESSORY is the secondary Chief product which is attached to a primary Chief product, and may have a component attached or setting on it.

COMPONENT: A COMPONENT is an audiovisual item designed to be attached or resting on an accessory or mounting system such as a video camera, CPU, screen, display, projector, etc.



WARNING: A WARNING alerts you to the possibility of serious injury or death if you do not follow the instructions.



CAUTION: A CAUTION alerts you to the possibility of damage or destruction of equipment if you do not follow the corresponding instructions.



IMPORTANT SAFETY INSTRUCTIONS!



WARNING: Failure to read, thoroughly understand, and follow all instructions can result in serious personal injury, damage to equipment, or voiding of factory warranty! It is the installer's responsibility to make sure all mounting systems are properly assembled and installed using the instructions provided.



WARNING: Failure to provide adequate structural strength for this mounting system can result in serious personal injury or damage to equipment! It is the installer's responsibility to make sure the structure to which this mounting system is attached can support five times the combined weight of all equipment. Reinforce the structure as required before installing the mounting system.



WARNING: Use this mounting system only for its intended use as described in these instructions. Do not use attachments not recommended by the manufacturer.



WARNING: Never operate this mounting system if it is damaged. Return the mounting system to a service center for examination and repair.



WARNING: Do not use this product outdoors.

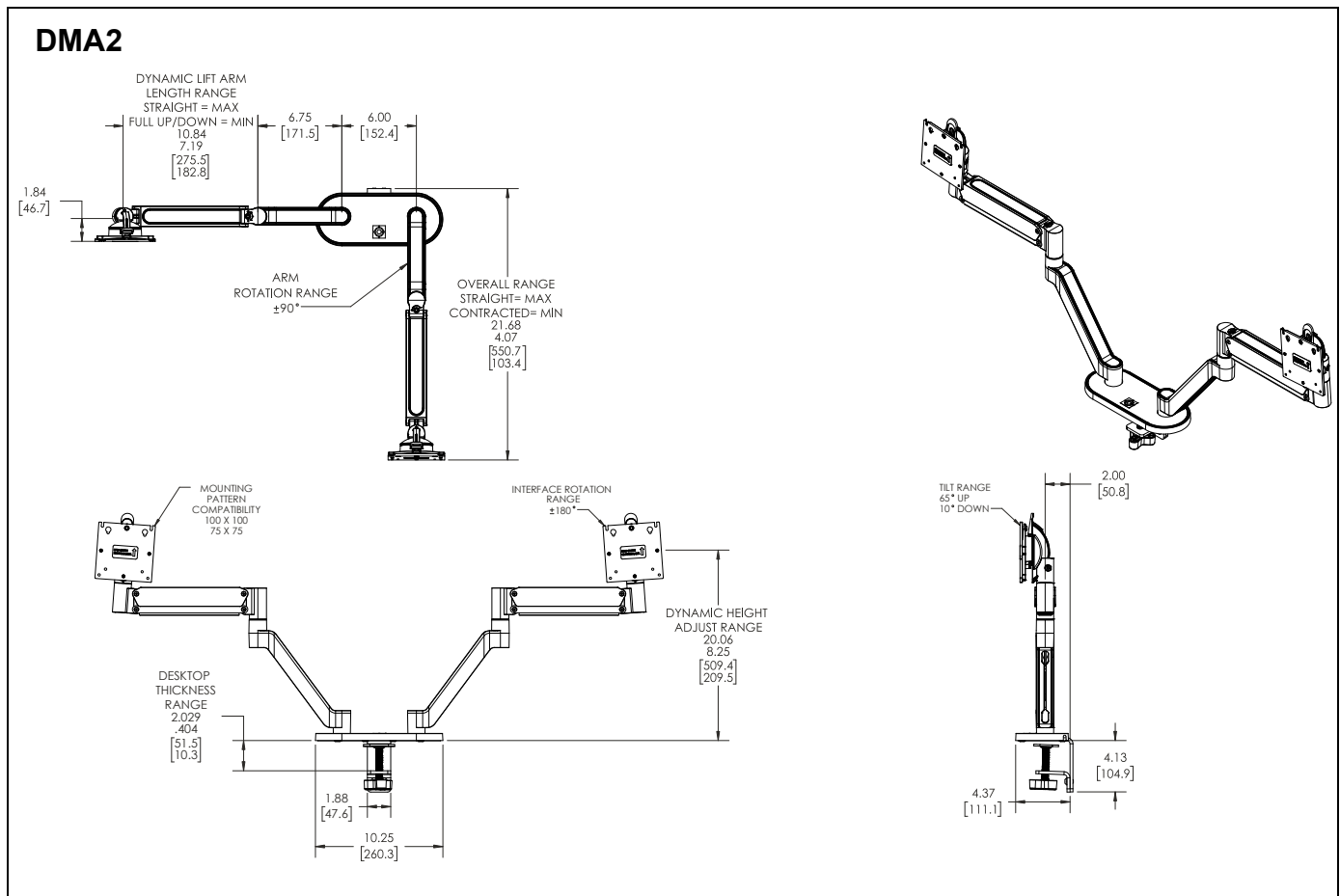
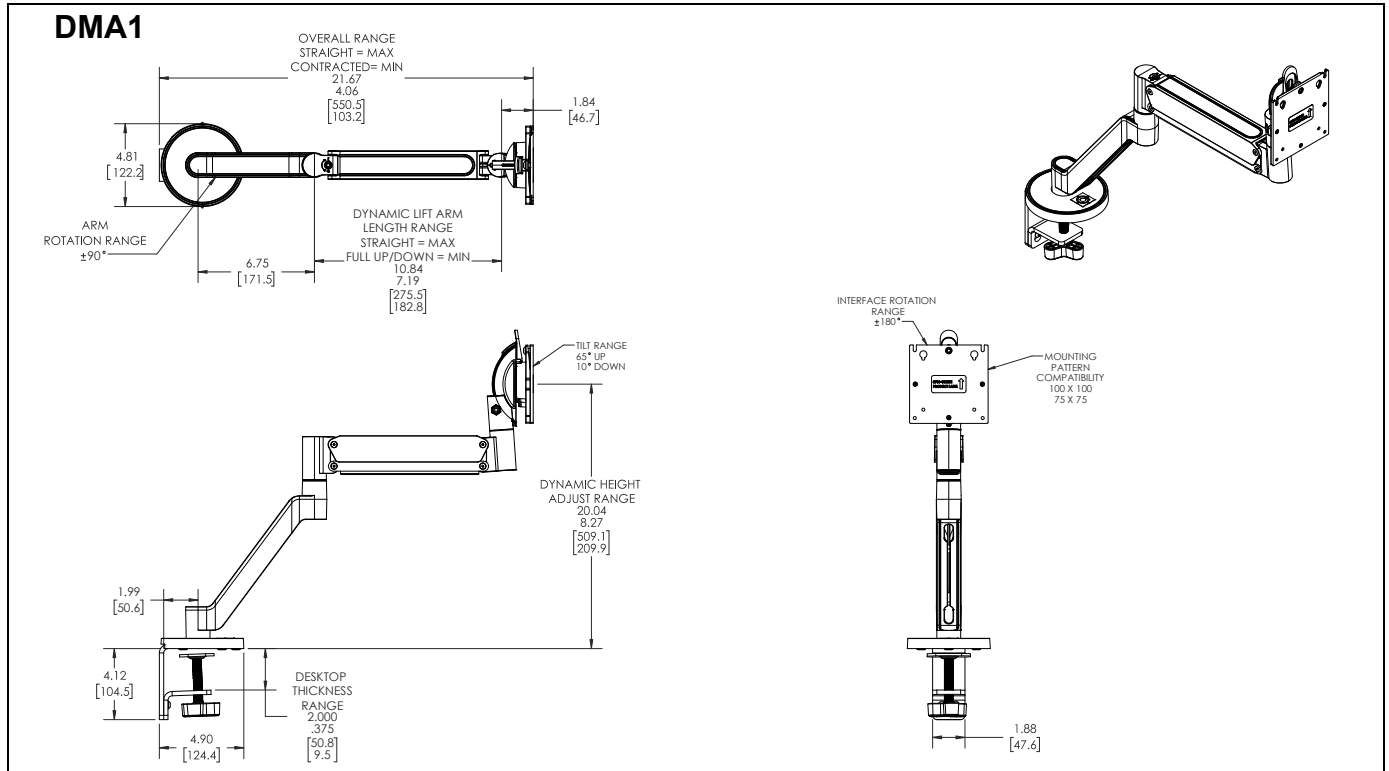


WARNING: Exceeding the weight capacity can result in serious personal injury or damage to equipment! It is the installer's responsibility to make sure the combined weight of all components and accessories attached to the DMA Series Monitor Arm up to (and including) the display is between the weight ranges listed below. Use with products heavier than the maximum weight indicated may result in collapse of the mount and its accessories causing possible injury. Use with products lighter than the minimum weight indicated may result in the mount not functioning properly.

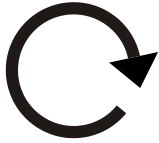

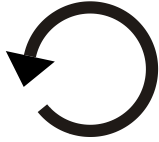









MODEL	Weight Range Allowed for <u>EACH</u> Display	Weight range Capacity of Mounting System
DMA1	2 lbs (0.9 kg) - 15 lbs (6.8 kg)	2 lbs (0.9 kg) - 15 lbs (6.8 kg)
DMA2	2 lbs (0.9 kg) - 15 lbs (6.8 kg)	4 lbs (1.8 kg) - 30 lbs (13.6 kg)

--SAVE THESE INSTRUCTIONS!--

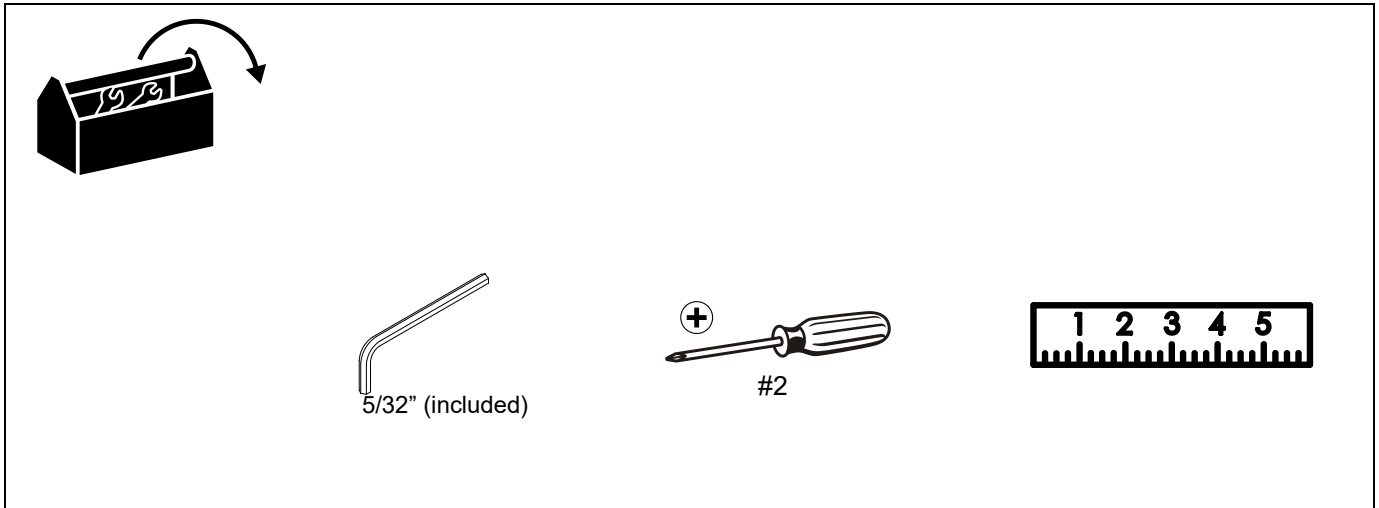
DIMENSIONS



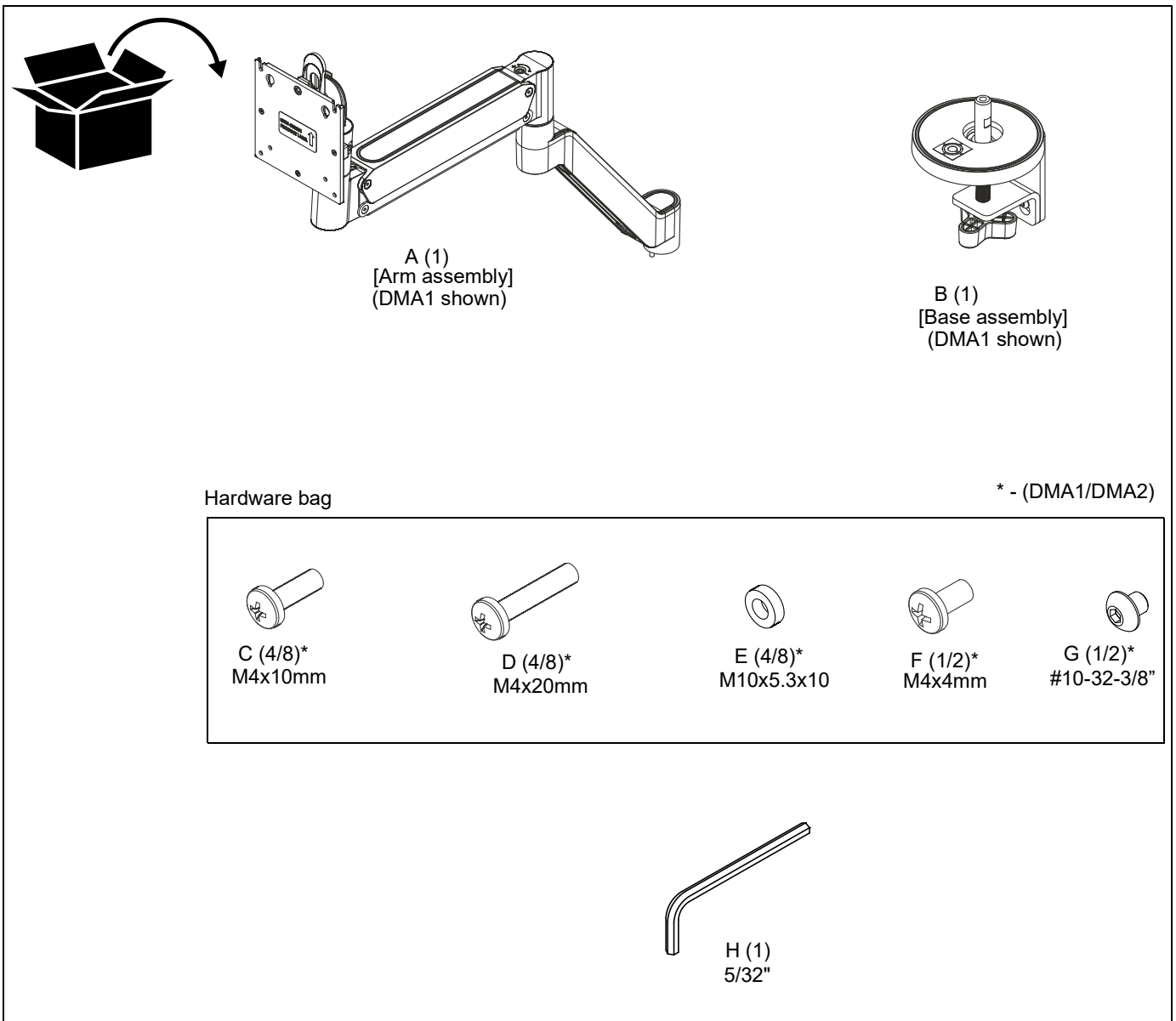
LEGEND

	Tighten Fastener Apretar elemento de fijación Befestigungsteil festziehen Apertar fixador Serrare il fissaggio Bevestiging vastdraaien Serrez les fixations		Pencil Mark Marcar con lápiz Stiftmarkierung Marcar com lápis Segno a matita Potloodmerkteken Marquage au crayon
	Loosen Fastener Aflojar elemento de fijación Befestigungsteil lösen Desapertar fixador Allentare il fissaggio Bevestiging losdraaien Desserrez les fixations		Drill Hole Perforar Bohrloch Fazer furo Praticare un foro Gat boren Percez un trou
	Phillips Screwdriver Destornillador Phillips Kreuzschlitzschraubendreher Chave de fendas Phillips Cacciavite a stella Kruiskopschroevendraaier Tournevis à pointe cruciforme		Adjust Ajustar Einstellen Ajustar Regolare Afstellen Ajuster
	Open-Ended Wrench Llave de boca Gabelschlüssel Chave de bocas Chiave a punte aperte Steeksleutel Clé à fourche		Remove Quitar Entfernen Remover Rimuovere Verwijderen Retirez
	By Hand A mano Von Hand Com a mão A mano Met de hand À la main		Optional Opcional Optional Opcional Opzionale Optie En option
	Hex-Head Wrench Llave de cabeza hexagonal Sechskantschlüssel Chave de cabeça sextavada Chiave esagonale Zeskantsleutel Clé à tête hexagonale		Security Wrench Llave de seguridad Sicherheitsschlüssel Chave de segurança Chiave di sicurezza Veiligheidsleutel Clé de sécurité

TOOLS REQUIRED FOR INSTALLATION



PARTS



Assembly And Installation

Connecting Desk Clamp to Desk

Standard Installation

1. Loosen clamp screw on base assembly (B) until enough space is created between clamp and base to allow for desk mounting. (See Figure 1) or (See Figure 2)

NOTE: Clamp can be turned either by turning the knob (See Figure 1) or turning the bolt with a hex key (See Figure 2) depending on installer preference.

NOTE: If space is limited behind desk (i.e. against wall, etc.), remove lower piece of clamp and two screws holding it to the base and reattach parts prior to Step 2! (See Figure 3)

2. Place base assembly (B) on top of desk at desired mounting location. (See Figure 1)
3. Tighten clamp using clamp screw until mount is securely fastened to desk. (See Figure 1) or (See Figure 2)

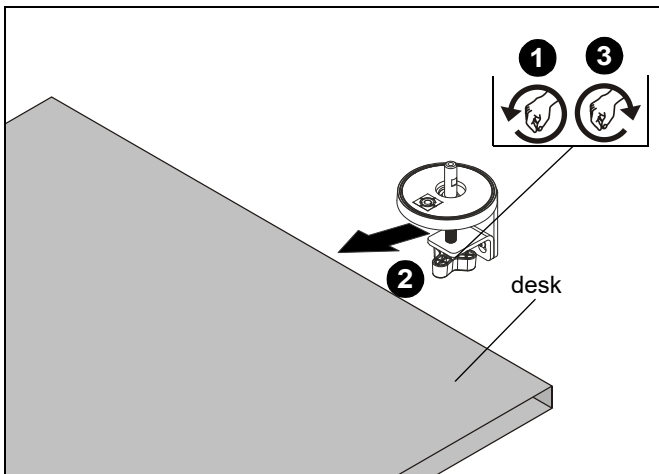


Figure 1

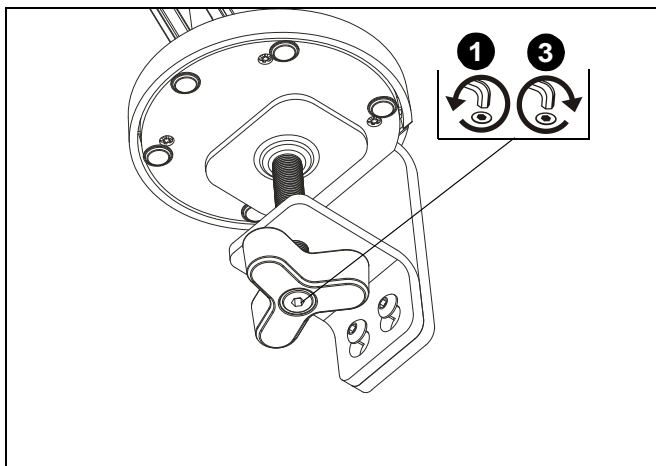


Figure 2

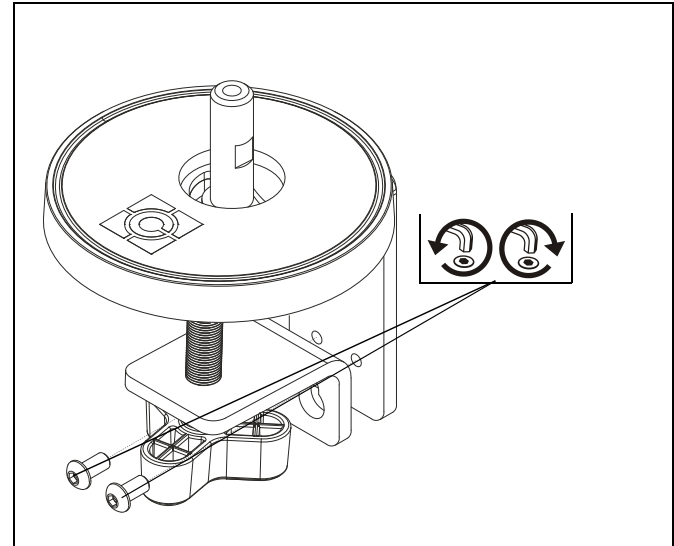


Figure 3

Grommet Hole Option

NOTE: DMA1-2 mounts may be installed directly to grommet holes larger than 2" in diameter.

1. Remove lower piece of clamp from assembly by removing two button head cap screws holding piece to assembly. (See Figure 4)
2. Install remaining part of clamp through grommet hole. (See Figure 4)

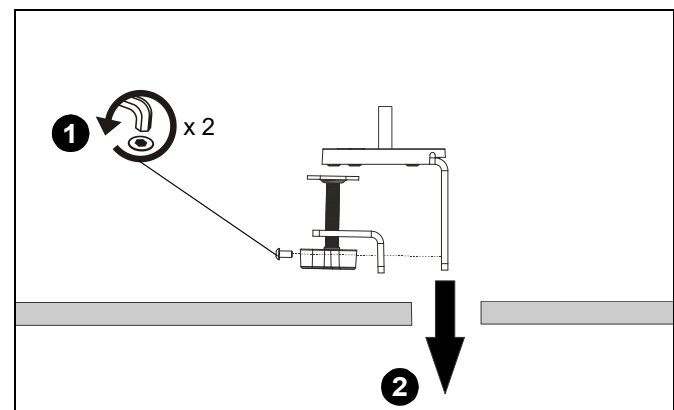


Figure 4

3. Reattach removed piece of clamp and screws to assembly. (See Figure 5)
4. Tighten clamp using clamp screw until mount is securely fastened to desk. (See Figure 5)

2. Place mounting arm(s) (A) onto base assembly (B) by slowly lowering arm onto base assembly pin. (See Figure 7)

NOTE: The arm will stay on the base without any fasteners being tightened.

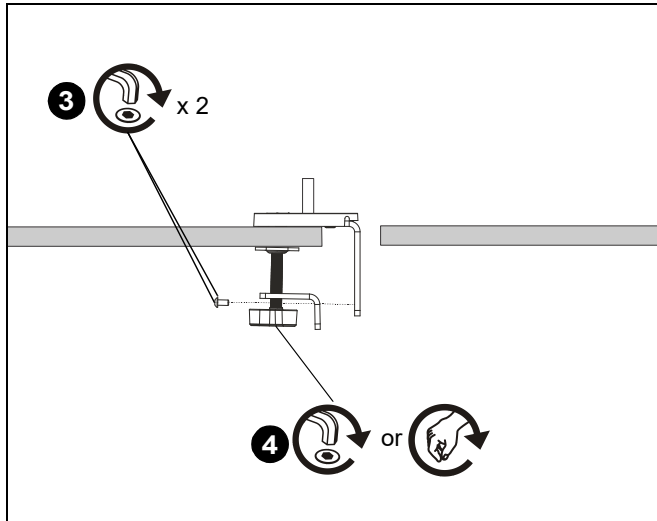


Figure 5

NOTE: Clamp can be turned either by turning the knob (See Figure 1) or turning the bolt with a hex key (See Figure 2) depending on installer preference.

Installing Arm to Base Assembly

IMPORTANT ! : If rotational stop is not desired, rotational stop screw must be removed prior to installing arm to base assembly. (See Figure 6)

NOTE: The rotational stop screw prevents the arm from rotating more the 90 degrees in either direction.

1. (Optional) Use hex key to remove rotational stop screw if rotational stop feature is not desired. (See Figure 6)

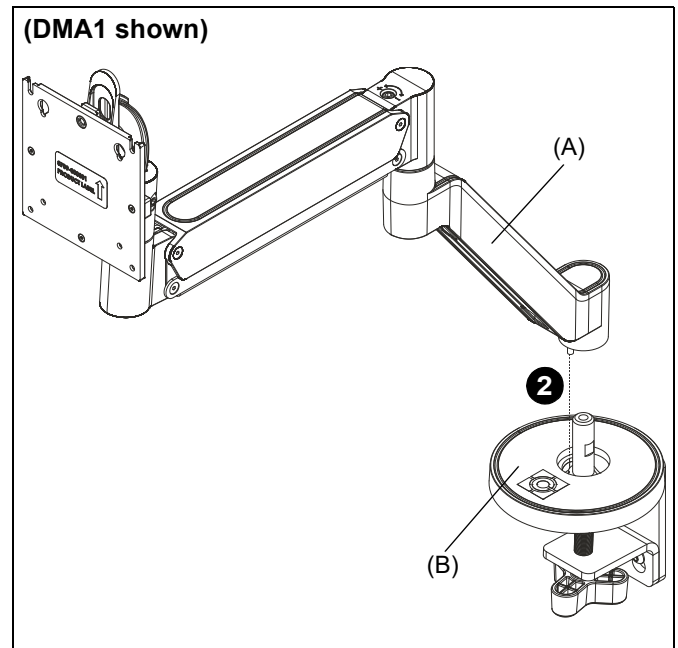


Figure 7

Display Installation - Standard Faceplate

1. Remove quick release faceplate from mount by pulling quick release lever and sliding faceplate off mount. (See Figure 8)

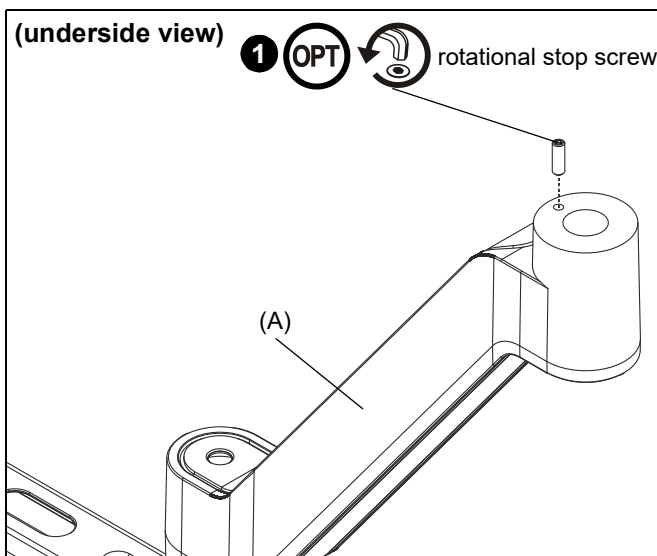


Figure 6

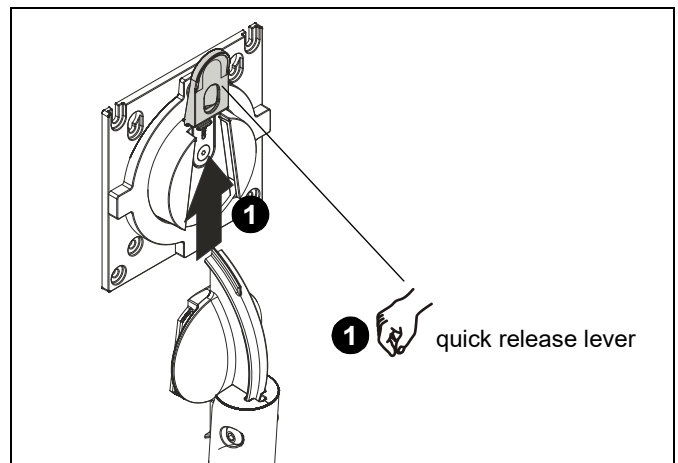


Figure 8



WARNING: Exceeding the weight capacity can result in serious personal injury or damage to equipment! It is the installer's responsibility to make sure the combined weight of all components and accessories attached to the DMA Series Monitor Arm up to (and including) the display is between the weight ranges listed below. Use with products heavier than the maximum weight indicated may result in collapse of the mount and its accessories causing possible injury. Use with products lighter than the minimum weight indicated may result in the mount not functioning properly.

MODEL	Weight Range Allowed for <u>EACH</u> Display	Weight range Capacity of Mounting System
DMA1	2 lbs (0.9 kg) - 15 lbs (6.8 kg)	2 lbs (0.9 kg) - 15 lbs (6.8 kg)
DMA2	2 lbs (0.9 kg) - 15 lbs (6.8 kg)	4 lbs (1.8 kg) - 30 lbs (13.6 kg)

- Carefully place display face down on protective surface.
- Connect faceplate to display

For flush mounting hole installation:

- Using Phillips screwdriver, carefully install four M4x10mm screws (B) through corresponding holes on faceplate and into the mounting holes on the display. (See Figure 9)

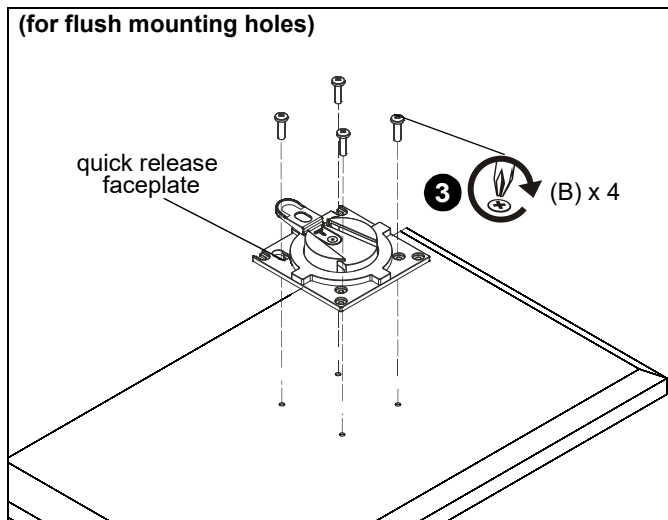


Figure 9

For recessed mounting hole installation:

- Place four spacers (D) on top of mounting holes on back of display. (See Figure 10)
- Using Phillips screwdriver, carefully install four M4x20mm screws (C) through corresponding holes on faceplate, spacers (D) and into the mounting holes on the display. (See Figure 10)

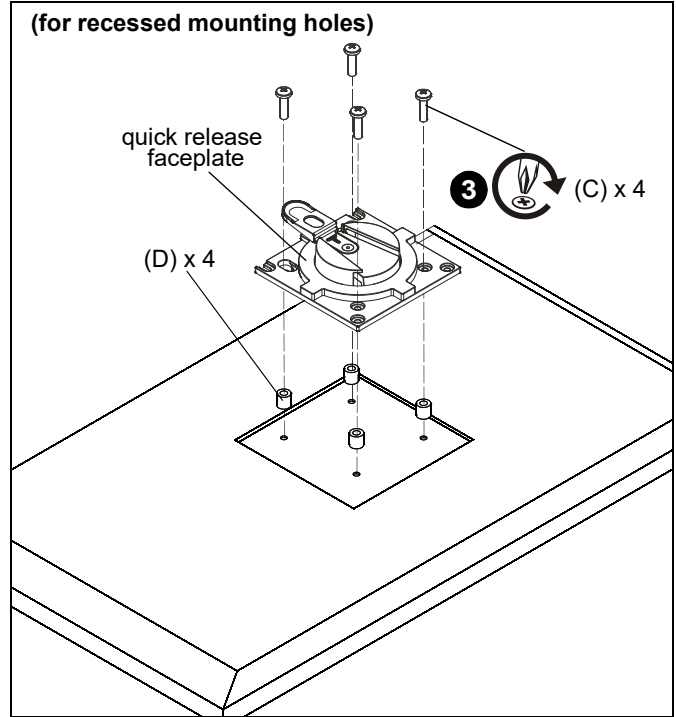


Figure 10

- Position display with faceplate attached above mount. (See Figure 11)
- Slide faceplate onto mounting head until quick release tab clicks into place. (See Figure 11)

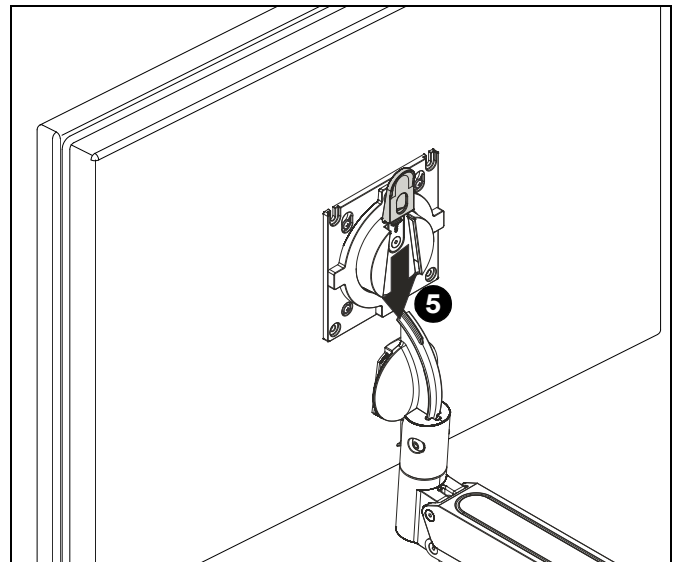


Figure 11

Adjustments

Pitch Adjustment

1. Adjust pitch to desired tilt position. (See Figure 12)
2. Adjust pitch tension screw to change the adjustment tension. (See Figure 12)

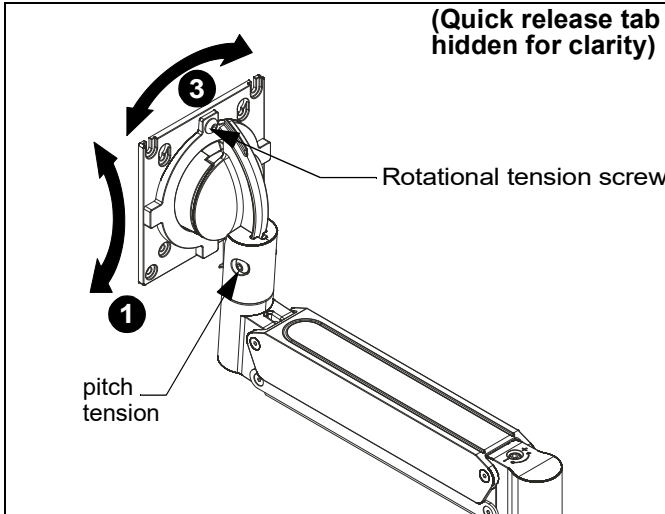


Figure 12

3. The monitor may be adjusted 90 degrees in either direction in order to provide a portrait view of the monitor. (See Figure 12)
4. Tighten rotational tension screw completely to lock rotation position.

Lift Arm Tension Adjustment

1. Tension may be adjusted with tension adjustment screw inside cable management cover and 5/32" hex key (H). (See Figure 13)

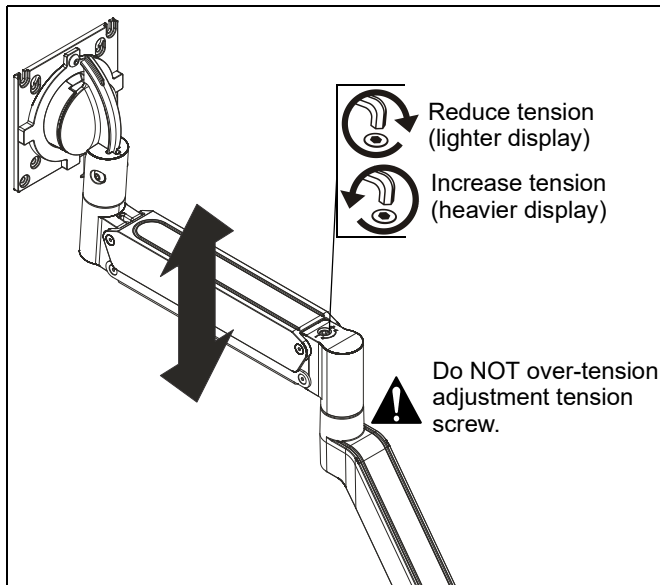


Figure 13

Display Removal



WARNING: Only remove display from mount when the display can be lifted up from the mount! DO NOT remove display unless the display is in the upright position! (See Figure 14)

1. Make sure display is in the upright position.
2. Remove quick release faceplate from mount by pulling quick release lever and sliding faceplate off mount. (See Figure 14)

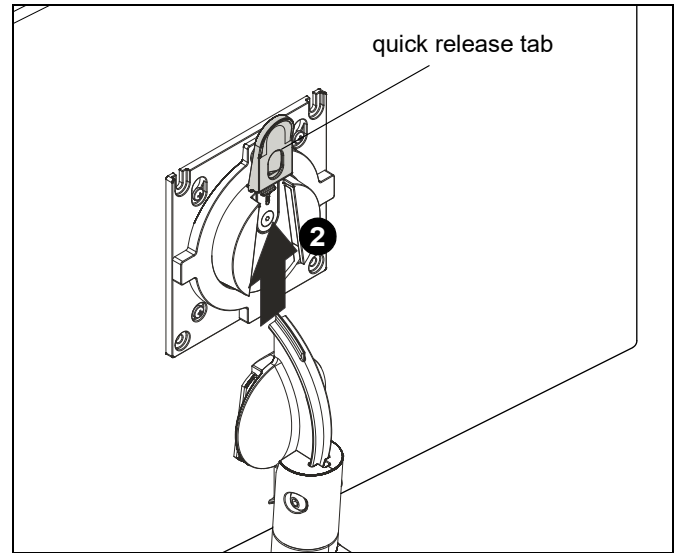


Figure 14

Cable Management

1. Tuck cables into channels located on underside of mounting arms. (See Figure 15)

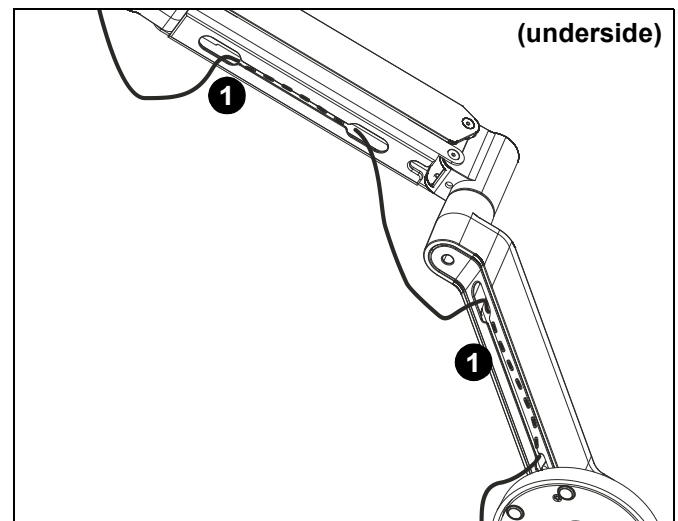


Figure 15

Pivot Adjustment Range

NOTE: This section only applies if the pivot stop screw is removed. (See Figure 6)

DMA1

1. Adjust arm angle as desired up to 90 degrees in either direction. (See Figure 16)



WARNING: Swinging the arm beyond 90 degrees may result in the mount slipping off the desk causing serious injury!

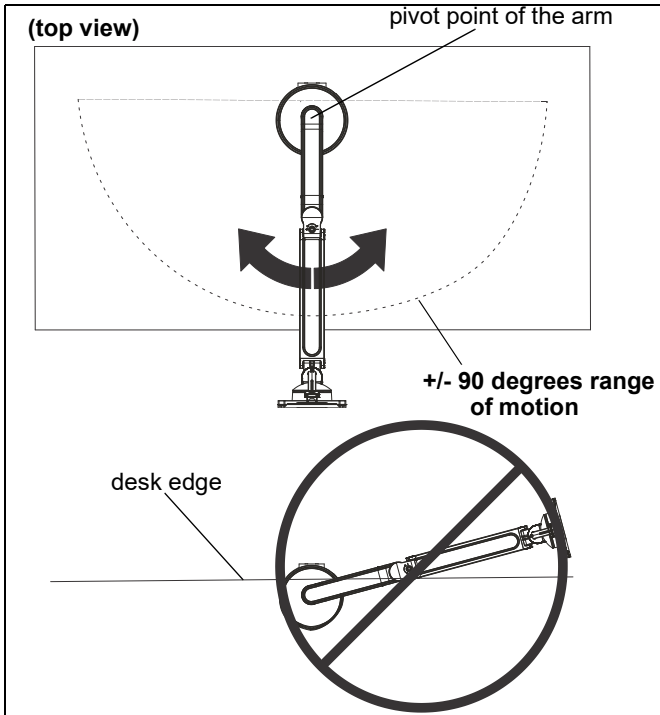


Figure 16

DMA2

1. Adjust arm angles as desired within a 90 degree range from the pivot point of the arm and a perpendicular centerline of mount. (See Figure 17)



WARNING: Swinging the arm beyond this range may result in the mount slipping off the desk causing serious injury!

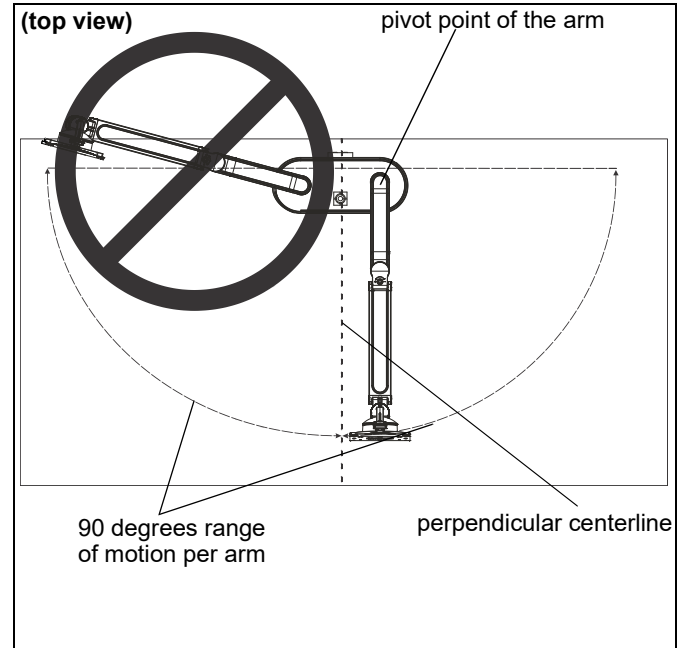


Figure 17

Tool Storage

NOTE: The adjustment key can be conveniently stored with the DMA Series mount if desired.

1. Slide 5/32" hex key (H) into channel located at the back of the base assembly. (See Figure 18)

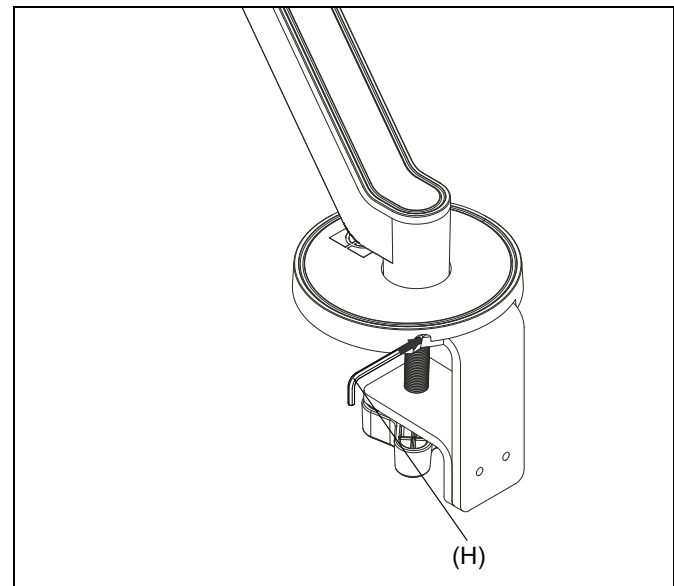


Figure 18

CHIEFA brand of **legrand**

8800-003193 Rev00
©2020 Legrand | AV
www.legrandav.com
10/2020

USA/International	A 6436 City West Parkway, Eden Prairie, MN 55344 P 800.582.6480 / 952.225.6000 F 877.894.6918 / 952.894.6918
Europe	A Franklinstraat 14, 6003 DK Weert, Netherlands P +31 (0) 495 580 852 F +31 (0) 495 580 845
Asia Pacific	A Office No. 918 on 9/F, Shatin Galleria 18-24 Shan Mei Street Fotan, Shatin, Hong Kong P 852 2145 4099 F 852 2145 4477

